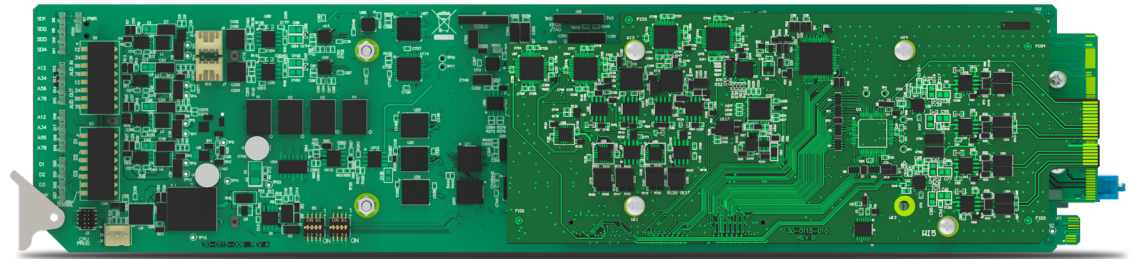


FEATURES

- ▷ Up to 4 x 12G SDI (7800 Series)
(4 x 3G SDI - 7700 Series)
- ▷ 8x8 Audio Line/AES
- ▷ Genlock
- ▷ Time Code, GPIO, Data
- ▷ Ethernet

APPLICATIONS

- ▷ Studio Links
- ▷ Signal Trunking
- ▷ Signal Distribution
- ▷ Campus Interconnects
- ▷ Transmission Links
- ▷ Telco Circuits
- ▷ Outside Broadcast
"B-Unit" Interconnects

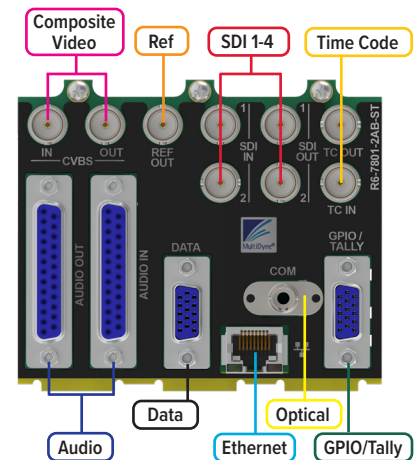


OG 7800 Card Shown Minus Rear Module

The OG-7700/7800 series of modules for the openGear platform provides flexibility for all fiber transport needs. Signals are transported uncompressed and unprocessed for maximum signal integrity. Included OG-7800 signals are: 12G SDI, audio, data, Ethernet, and reference, all compatible with the industry standard openGear platform offering SNMP management via Dashboard software. For 3G SDI Signal needs, our OG-7700 Series is available.

OG-7701/7801 SPECIFICATIONS

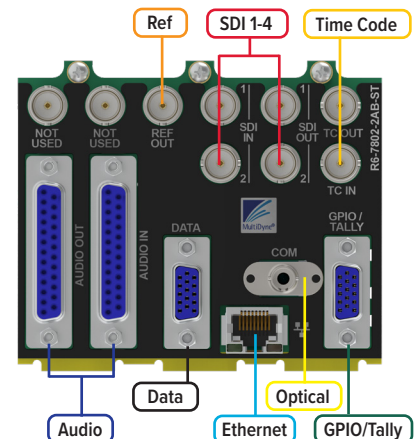
OG-7801 -12G SDI 2x2 or 4x0*	←→
OG-7701 -3G SDI 2x2 or 4x0*	←→
Composite Video 1x1	←→
Audio 8x8	←→
Reference/Genlock	←→
Time Code	←→
3 GPIO	←→
Tally	←→
3 Serial Data (RS-232/422)	←→
Gigabit Ethernet	←→



*Also available with video configurations of 1x0, 0x1 or, 1x1

OG-7702/7802 SPECIFICATIONS

OG-7802 -12G SDI 2x2 or 4x0*	←→
OG-7702 -3G SDI 2x2 or 4x0*	←→
Audio 8x8 or 4x4	←→
Reference/Genlock	←→
Time Code	←→
3 GPIO	←→
Tally	←→
3 Serial Data (RS-232/422)	←→
Gigabit Ethernet	←→

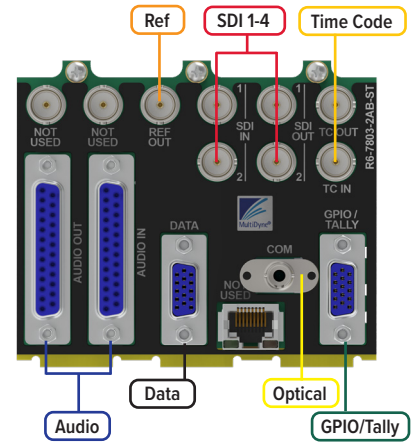


*Also available with video configurations of 1x0, 0x1 or, 1x1

OG-7703/7803 SPECIFICATIONS



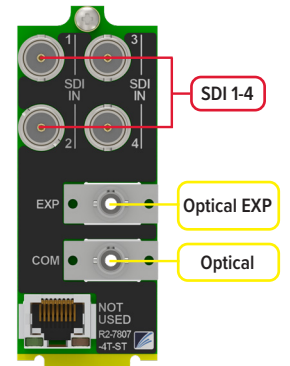
*Also available with video configurations of 1x0, 0x1 or, 1x1



OG-7707/7807 SPECIFICATIONS



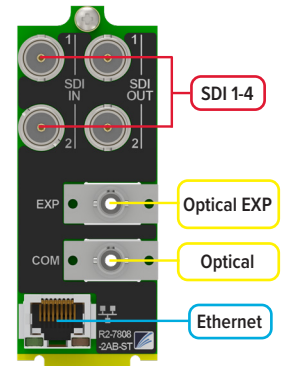
*Also available with video configurations of 1x0, 0x1 or, 1x1



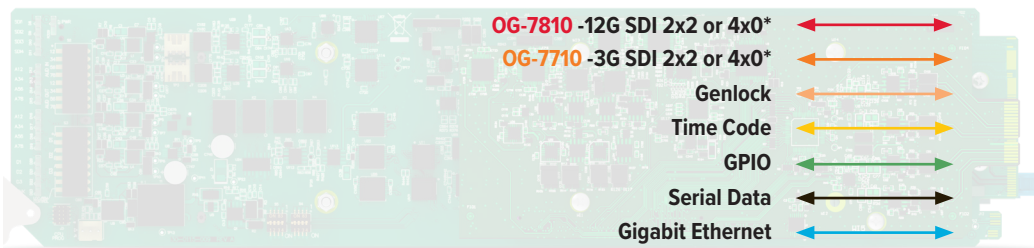
OG-7708/7808 SPECIFICATIONS



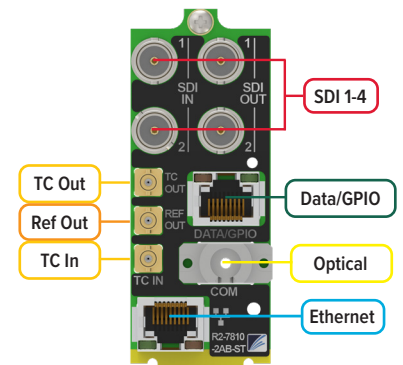
*Also available with video configurations of 1x0, 0x1 or, 1x1



OG-7710/7810 SPECIFICATIONS



*Also available with video configurations of 1x0, 0x1 or, 1x1



TECHNICAL SPECIFICATIONS

3G-SDI Digital Video I/O-7700 Series

Number of Inputs	2 to 4 input options available
Number of Outputs	2 to 4 output options available
Interface	SMPTE ST259, ST292, ST424, DVB-ASI
Data Rate	270Mbps, 1.5Gbps, 3Gbps
Input/Output Level	800mVp-p
Input/Output Impedance	75 Ohms
Return Loss	>15 dB 5 MHz - 1.485 GHz >10 dB up to 3 GHz
Jitter	< 0.2UI
Rise/Fall Times	< 800ps (SD), < 130ps (HD)
Bit-error Rate	10e-12

12G-SDI Digital Video I/O-7800 Series

Number of Inputs	1 to 4 input options available
Number of Outputs	1 to 4 output options available
Interface	SMPTE, ST292, ST424, DVB-ASI, ST2081, ST2082
Data Rate	1.5Gbps, 3Gbps, 6Gbps, 12Gbps
Input/Output Level	800mVp-p
Input/Output Impedance	75 Ohms
Return Loss	>15 dB up to 3 GHz
Jitter	< 0.2UI
Rise/Fall Times	< 130ps (HD)
Bit-error Rate	10e-12

7700/7800 Series Shared Specifications

Video, CVBS

Number of Inputs	1
Number of Outputs	1
Type	Analog NTSC, PAL
Impedance	75 Ohms

Video, Genlock

Number of Inputs	1 (REF1 On OpenGear Frame)
Number of Outputs	1
Type	Analog Black Burst (NTSC, PAL), HD Tri-Level
Impedance	75 Ohms

Audio

Number of Input Channels (mono)	4 or 8 input options available
Number of Output Channels (mono)	4 or 8 output options available
Type	Balanced. Analog Line-Level or AES3, selectable in groups of 2
Analog Audio:	
Level	+4dBu nominal, +24dBu max.
Input Impedance	> 10k Ohms
Output Impedance	22 ohms
S/N	>90db
Frequency Response	+/-0.1db 20Hz – 20kHz
Distortion	< 0.05%
Digital Audio:	
Sample Rate	Up to 96kHz
Bit Depth	Up to 24 bits

Serial Data

Number of Channels	Up to 3
Type	RS232, RS422
Data Rate	DC – 1Mbps

Ethernet

Number of Channels	1
Data Rate	10/100/1000 Base-T

Timecode

Number of Inputs	1
Number of Outputs	1
Inputs	Unbalanced, 15Vp-p max
Outputs	Unbalanced, 3Vp-p

Tally/GPIO

Number of GPI Inputs	Up to 3
Number of Tally Inputs	1
Number of GPI Outputs	Up to 3
Number of Tally Outputs	1
Inputs	Short to GND or TTL Low to Activate
Outputs	Relay Contact Closure (30V, 2A max)

Optical

Operating Wavelengths	1471-1611nm
Tx Laser Output Power	0dBm (Class 1 Laser)
Receiver Sensitivity	-20dBm
Fiber Compatibility	Single-mode
Optical Connector Types	SC, ST, LC
Distance Limit	40km w/Single-mode

Mechanical, Environmental

Dimensions (H x L x W)	
openGear® Form Factor	3.025H" x 12.75L" x 3 slots
Environmental	0 to 50°C, 0 to 95% RH, non-condensing.
Power Consumption	12.5 Watts

ORDERING INFORMATION

OG-7700 SERIES

OG-7701 (Fully Loaded)
OG-7701-4T-CA-8A-EA
OG-7701-4R-CB-8B-EB
OG-7701-2A-CA-8A-EA
OG-7701-2B-CB-8B-EB

OG-7705 (Audio)
OG-7705-XX-XX-8A-XX
OG-7705-XX-XX-8B-XX
OG-7705-XX-XX-4A-XX
OG-7705-XX-XX-4B-XX

OG-7702 (HD video, audio & ethernet)
OG-7702-4T-XX-8A-EA
OG-7702-4R-XX-8B-EB
OG-7702-2A-XX-8A-EA
OG-7702-2B-XX-8B-EB
OG-7702-4T-XX-4A-EA
OG-7702-4R-XX-4B-EB
OG-7702-2A-XX-4A-EA
OG-7702-2B-XX-4B-EB

OG-7706 (Ethernet)
OG-7706-XX-XX-XX-EA
OG-7706-XX-XX-XX-EB

OG-7707 (HD video)
OG-7707-4T-XX-XX-EA
OG-7707-4R-XX-XX-EB
OG-7707-2A-XX-XX-EA
OG-7707-2B-XX-XX-EB

OG-7708 (HD video & ethernet)
OG-7708-4T-XX-XX-EA
OG-7708-4R-XX-XX-EB
OG-7708-2A-XX-XX-EA
OG-7708-2B-XX-XX-EB
OG-7708-1T-XX-XX-EA
OG-7708-1R-XX-XX-EB

OG-7709 (Composite video & audio)
OG-7709-XX-CA-8A-XX
OG-7709-XX-CB-8B-XX

OG-7703 (HD video & audio)
OG-7703-4T-XX-8A-XX
OG-7703-4R-XX-8B-XX
OG-7703-2A-XX-8A-XX
OG-7703-2B-XX-8B-XX
OG-7703-4T-XX-4A-XX
OG-7703-4R-XX-4B-XX
OG-7703-2A-XX-4A-XX
OG-7703-2B-XX-4B-XX

OG-7704 (Audio & ethernet)
OG-7704-XX-XX-8A-EA
OG-7704-XX-XX-8B-EB
OG-7704-XX-XX-4A-EA
OG-7704-XX-XX-4B-EB

OG-7800 SERIES

OG-7801 (12G, Composite, Audio & Ethernet)
OG-7801-4T-CA-8A-EA
OG-7801-4R-CB-8B-EB
OG-7801-2A-CA-8A-EA
OG-7801-2B-CB-8B-EB

OG-7807 (12G Video)
OG-7807-4T-XX-XX-XX
OG-7807-4R-XX-XX-XX
OG-7807-2A-XX-XX-XX
OG-7807-2B-XX-XX-XX

OG-7802 (12G Video, Audio & Ethernet)
OG-7802-4T-XX-8A-EA
OG-7802-4R-XX-8B-EB
OG-7802-2A-XX-8A-EA
OG-7802-2B-XX-8B-EB
OG-7802-4T-XX-4A-EA
OG-7802-4R-XX-4B-EB
OG-7802-2A-XX-4A-EA
OG-7802-2B-XX-4B-EB

OG-7808 (12G Video & Ethernet)
OG-7808-4T-XX-XX-EA
OG-7808-4R-XX-XX-EB
OG-7808-2A-XX-XX-EA
OG-7808-2B-XX-XX-EB
OG-7808-1T-XX-XX-EA
OG-7808-1R-XX-XX-EB

OG-7803 (12G Video & Audio)
OG-7803-4T-XX-8A-XX
OG-7803-4R-XX-8B-XX
OG-7803-2A-XX-8A-XX
OG-7803-2B-XX-8B-XX
OG-7803-4T-XX-4A-XX
OG-7803-4R-XX-4B-XX
OG-7803-2A-XX-4A-XX
OG-7803-2B-XX-4B-XX

OG-7810 (12G Video, Ethernet, Data, GPIO, Timecode & Genlock)
OG-7810-4T-XX-XX-EA
OG-7810-4R-XX-XX-EB
OG-7810-2A-XX-XX-EA
OG-7810-2B-XX-XX-EB
OG-7810-1T-XX-XX-EA
OG-7810-1R-XX-XX-EB